



# USER MANUAL

BA Series - Optical Attenuators

121-106018

**gentec-EO**  
PARTNERS for ACCURACY

## WARRANTY

The Gentec-EO BA Optical Attenuators carry a one-year warranty (from date of shipment) against material and/or workmanship defects, when used under normal operating conditions. The warranty does not cover damages related to battery leakage or misuse.

Gentec-EO Inc. will repair or replace, at Gentec-EO Inc.'s option, any accessories for beam diagnostics that prove to be defective during the warranty period, except in the case of product misuse.

Any attempt by an unauthorized person to alter or repair the product voids the warranty.

The manufacturer is not liable for consequential damages of any kind.

In case of malfunction, contact your local Gentec-EO distributor or nearest Gentec-EO Inc. office to obtain a return authorization number. The material should be returned to:

Gentec Electro-Optics, Inc.  
445, St-Jean-Baptiste, Office 160  
Quebec, QC  
Canada, G2E 5N7

Tel: (418) 651-8003  
Fax: (418) 651-1174  
E-mail: [service@gentec-eo.com](mailto:service@gentec-eo.com)

Website: [www.gentec-eo.com](http://www.gentec-eo.com)

## CLAIMS

To obtain warranty service, contact your nearest Gentec-EO agent or send the product, with a description of the problem, and prepaid transportation and insurance, to the nearest Gentec-EO agent. Gentec-EO Inc. assumes no risk for damage during transit. Gentec-EO Inc. will, at its option, repair or replace the defective product free of charge or refund your purchase price. However, if Gentec-EO Inc. determines that the failure is caused by misuse, alterations, accident or abnormal conditions of operation or handling, it would therefore not be covered by the warranty.

## SAFETY INFORMATION

Do not use the BA Optical Attenuators if they look damaged, or if you suspect that the BA Optical Attenuators are not operating properly.

**Caution:** Changes or modifications not expressly approved in writing by Gentec-EO Inc. may void the user's authority to operate this equipment.

## SYMBOLS

The following international symbols are used in this manual:



Refer to the manual for specific Warning or Caution information to avoid any damage to the product.

## TABLE OF CONTENTS

<b>1. INTRODUCTION .....</b>	<b>5</b>
<b>2. WARNINGS AND DISCLAIMER .....</b>	<b>6</b>
<b>3. BA16 OPTICAL ATTENUATOR SERIES.....</b>	<b>7</b>
3.1. INCLUDED WITH YOUR BA16 .....	7
3.2. POWER DETECTOR.....	7
3.3. SPECIFICATIONS .....	7
3.4. BEAM PATH DETAILS.....	8
3.5. OPERATING INSTRUCTIONS.....	11
<b>4. BA32 OPTICAL ATTENUATOR SERIES.....</b>	<b>14</b>
4.1. INCLUDED WITH YOUR BA32 .....	14
4.2. POWER DETECTOR.....	14
4.3. COOLING WATER.....	14
4.4. SPECIFICATIONS .....	15
4.5. BEAM PATH DETAILS.....	17
4.6. OPERATING INSTRUCTIONS.....	18
<b>ANNEXE A: WEEE DIRECTIVE .....</b>	<b>20</b>

## 1. INTRODUCTION

The Gentec-EO Optical Attenuator BA Series includes two optical attenuators: one model with 16 mm aperture for lower power and a 1 kW model with a 32 mm aperture. The Optical Attenuator BA Series is expressly designed to be used simultaneously with a BEAMAGE beam profiler. For further information about the BEAMAGE Profiler, refer to the corresponding manual on [gentec-eo.com/resources/download-center](http://gentec-eo.com/resources/download-center).



**BA16-60S**  
with included cover plate



**BA16-60S**  
with UP19K-15S-H5-D0



**BA16-60S**  
with UP19K-110F-H9-D0



**BA32-1KW**

Model	Maximum Power	When Used With
BA16-60S	60 W	Included cover plate
	150 W	UP19K-15S-H5-D0
	500 W	UP19K-110F-H9-D0 UP19K-200W-H9-D0
BA32-1KW	1000 W	UP55N-40S-H9-D0

Can also be combined with INTEGRA for USB capability or BLU for Bluetooth capability. Contact Gentec-EO or your local representative for more information.

## 2. WARNINGS AND DISCLAIMER

In no event shall Gentec-EO or any of its affiliates be liable for any indirect, special, incidental or consequential injury to persons or damage to property caused by the use of any of our products, by purchasing from Gentec-EO or any of its affiliates, you hereby indicate that you understand and agree to the following:



### Disclaimer

I am fully responsible for the safe application and use of this product and agreed to such by completing the sales process.

I will not use a laser device without wearing approved laser safety goggles designed for such purpose.

I am aware and responsible of safely dealing with any back reflections.  
I will not use the product in violation of any local, state or federal law, and I understand that it is my responsibility to know and abide by those laws relating to the ownership and use of the product in my jurisdiction.

### Attenuator temperature while in operation

During usage, the attenuator (especially the beam dump) can become hot enough to cause burns.



### Warning

Be careful not to exceed the maximum levels and densities stated in the specifications.

### 3. BA16 OPTICAL ATTENUATOR SERIES

#### 3.1. INCLUDED WITH YOUR BA16

The following items are included with your BA16 optical attenuator:

Description
BA16 optical attenuator
Protective covers for optical apertures <sup>1</sup>
Tube coupler for BEAMAGE camera

The following items can be purchased separately:

Description	Part name	Part number
Stand	See website	See website
BEAMAGE-4M Laser Beam Profiler	BEAMAGE-4M	202880
UP19K Laser Power Detector	Various	Various

#### 3.2. POWER DETECTOR

BA series beam attenuators can be combined with a UP power detector. For further information about the UP power detector itself, refer to the *UP Manual* (available at [gentec-eo.com/resources/download-center](http://gentec-eo.com/resources/download-center)).

The screws for the included cover plate or power detector will require a 2 mm hex key.

#### 3.3. SPECIFICATIONS

The following specifications are based on an operating temperature of 15°C to 28°C (59 to 82°F) and a relative humidity not exceeding 80%. Attenuators must be stored in an environment between 10°C to 65°C and a relative humidity not exceeding 90%.

Gentec-EO	BA16-60S		
	Measurement Capability		
<b>Spectral Range</b>	200 nm – 2100 nm		
<b>Spectral Range with BEAMAGE Camera</b>	350 nm – 1150 nm		
<b>Sampled Percentage<sup>2</sup></b>	0.0588% (1/1700) @ 1.064 μm		
<b>Integrated Power Meter</b>	None		
<b>Maximum Power</b>	60 W when used with included cover plate	150 W when used with UP19K-15S-H5-D0	500 W when used with UP19K-110F-H9-D0 or UP19K-200W-H9-D0
<b>Aperture Diameter</b>	16 mm		
<b>Maximum Beam Diameter</b>	16 mm		
<b>Optical Wedges Material</b>	UV Fused Silica (uncoated)		
<b>Sampled Beam Lateral Shift</b>	21mm		
<b>Sampled Beam Deviation</b>	90°		
<b>Residual Beam Deviation</b>	5.6°		

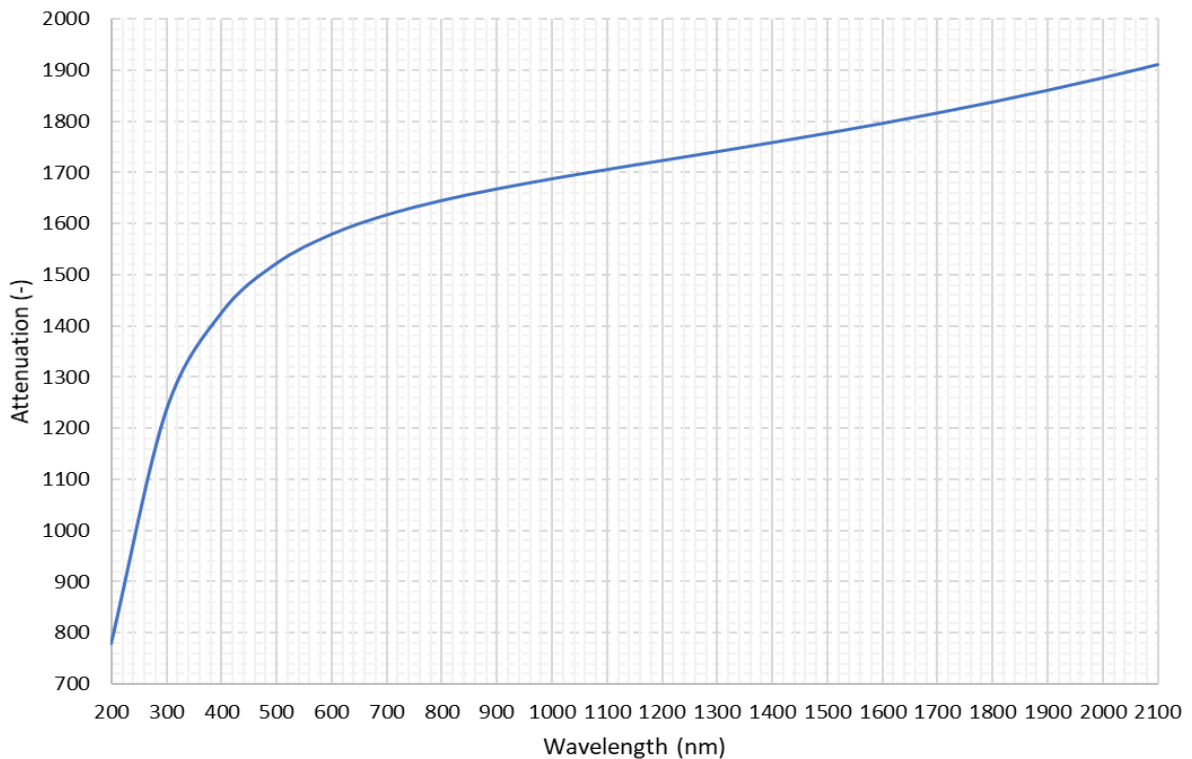
<sup>1</sup> Models that include a power meter do not come with a protective cover for Residual Beam 2.

<sup>2</sup> Considering 0° AOI referred to the input aperture.

<b>CW Laser Damage Thresholds on the Optical Wedge</b> 1.064 $\mu\text{m}$ , CW	<b>Average Power Density</b> 10 MW/cm <sup>2</sup>
<b>Pulsed Laser Damage Thresholds on the Optical Wedge</b> 1.064 $\mu\text{m}$ , 7 ns, 10 Hz	<b>Max. Energy Density</b> 10 J/cm <sup>2</sup>
<b>Max. Average Power Density on the included cover plate</b> 1.064 $\mu\text{m}$ , 10W CW 10.6 $\mu\text{m}$ , 10W CW	45 kW/cm <sup>2</sup> 14 kW/cm <sup>2</sup>
<b>Physical Characteristics</b>	
<b>Dimensions</b>	81H x 47W x 45D mm
<b>Weight</b>	0.26kg
<b>Mounting</b>	¼ - 20 (imperial) threaded holes / 30mm cage system
<b>Input &amp; Output Aperture Threading</b>	SM1
<b>Product Number</b>	203791

Specifications are subject to change without notice

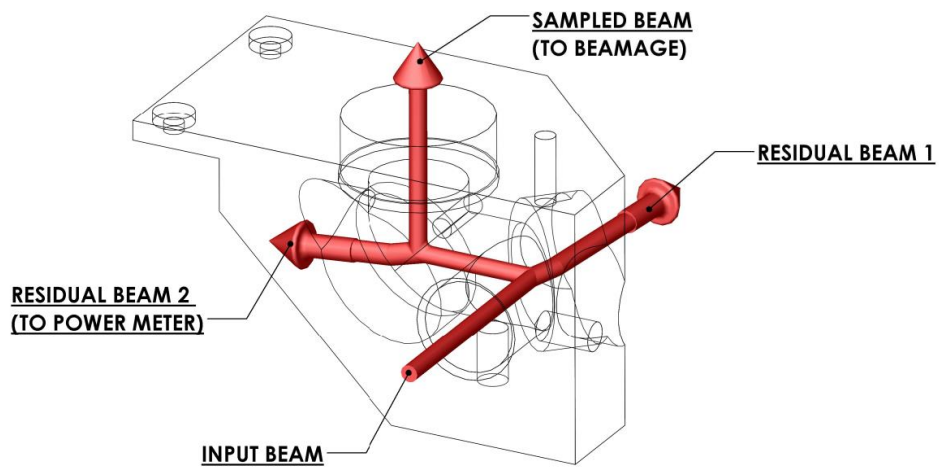
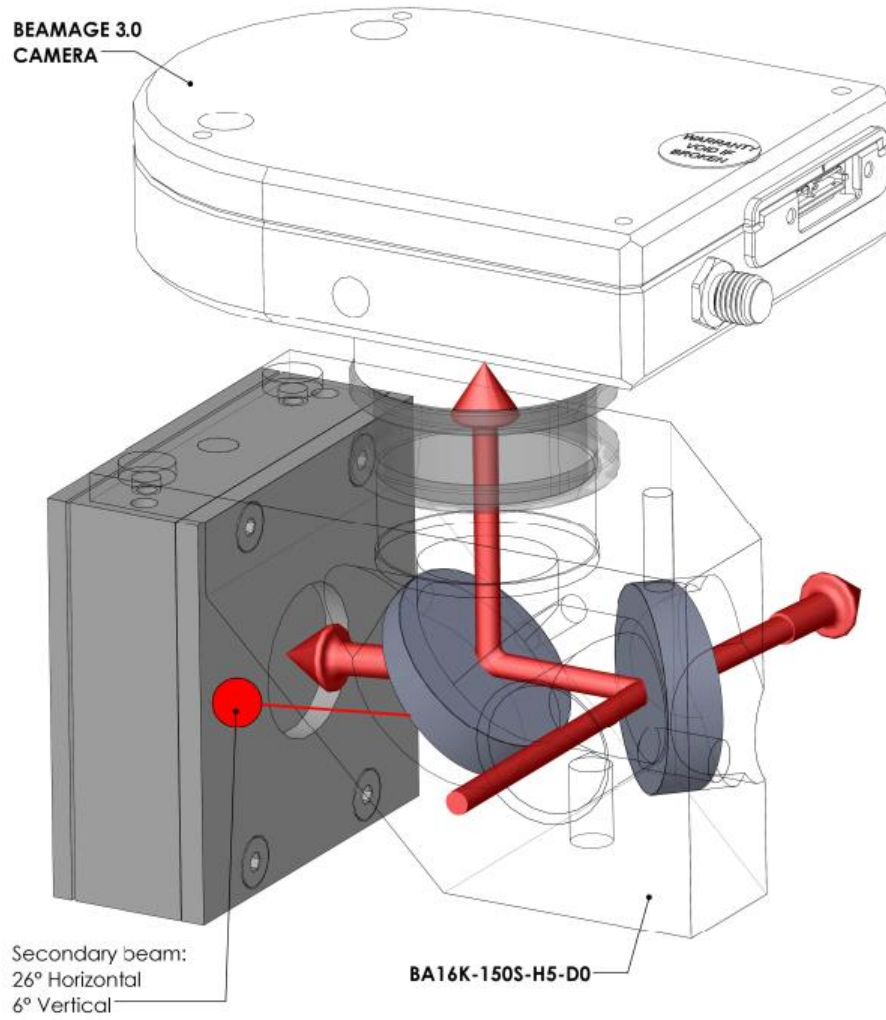
The attenuation between the input aperture and the sampled beam is polarization-insensitive, but it varies with the wavelength. The graph below presents the attenuation factor as a function of the wavelength considering an angle of incidence of 0° with the input aperture.

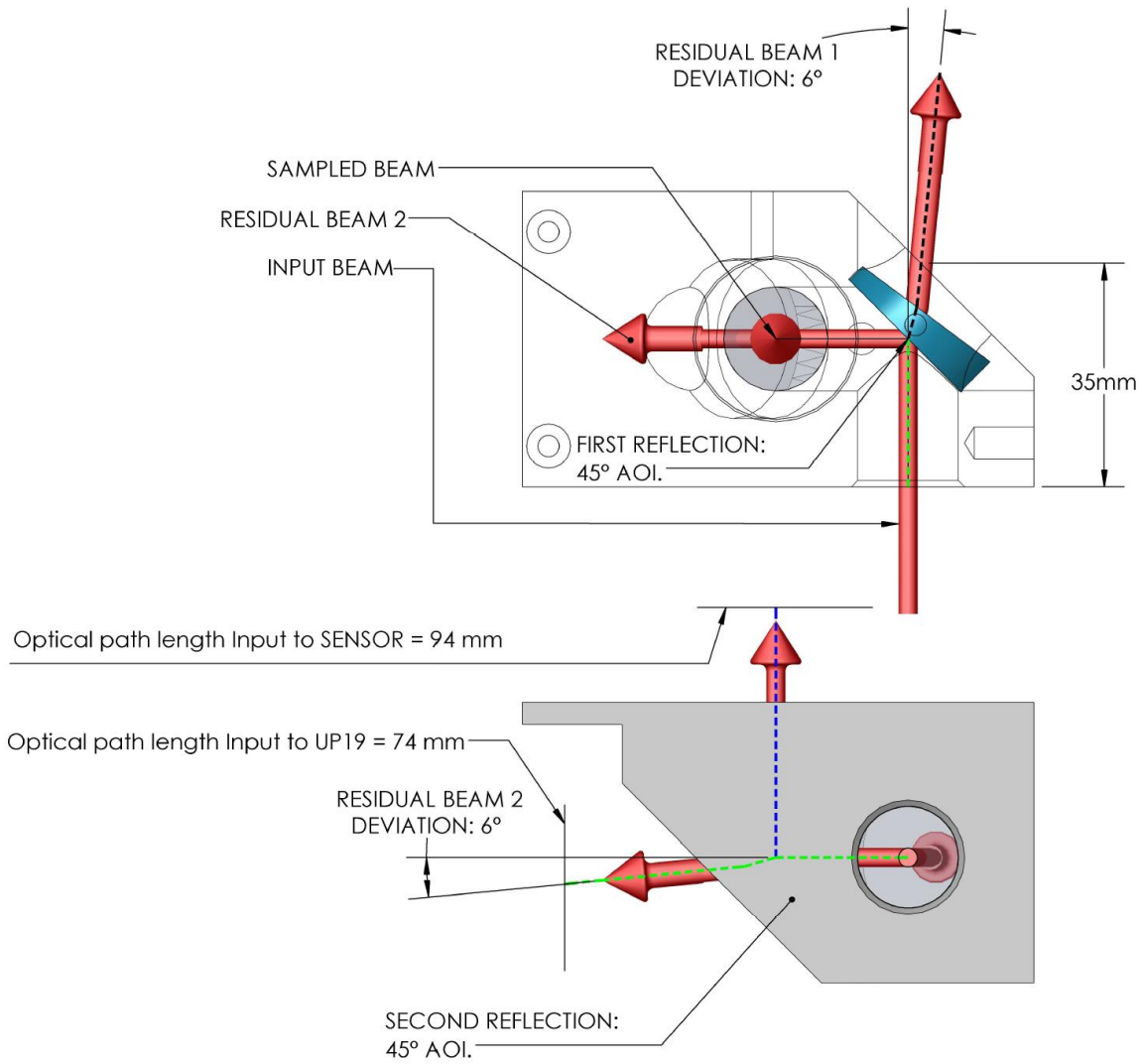


**Figure 1 : Spectral attenuation factor**

### 3.4. BEAM PATH DETAILS







Typical power values @1070nm (% of incident beam)	
Residual Beam 1	92%
Between the 2 wedges	2 x 4% = 8%
Residual Beam 2	2 x 3.7% = 7.4%
Sampled Beam	0.1%

Typical optical path length	
Input to <i>Sampled Beam</i> output (without accessory)	69 mm
Input to <i>Residual Beam 1</i> output	35 mm
Input to <i>Residual Beam 2</i> output	56 mm
Input to <i>UP19K</i>	74 mm
Input to <i>BEAMAGE's</i> sensor	94 mm

### 3.5. OPERATING INSTRUCTIONS

#### Storage

In order to ensure a long lifetime of accurate measurements, it is recommended that attenuators be held within the following ambient conditions:

Storage environment temperature: 10 to 60 °C, RH < 90 %  
Operating environment temperature: 15 to 28 °C, RH < 80 %.

It is possible to store and operate your Optical Attenuator beyond this range. For any specific requirements, please contact your local Gentec-EO representative.

#### General operation with BEAMAGE beam profiling camera

1. Remove the protective covers from the Attenuator and power detector, if used.
2. Using the supplied coupler, install the BEAMAGE camera on the attenuator's sampled beam aperture. Use the locking rings to secure the BEAMAGE on the coupler and the coupler to the Attenuator.
3. Download and install the software *PC-BEAMAGE* (available at [gentec-eo.com](http://gentec-eo.com)).
4. Connect the BEAMAGE to the computer. For further information about *PC-BEAMAGE*, refer to the corresponding manual on [gentec-eo.com/resources/download-center](http://gentec-eo.com/resources/download-center).
5. Align the Attenuator in the optical set-up using a safe "low-power" laser by centering the beam into the power detector and in the BEAMAGE. In order to ensure an optimum, polarization-independent attenuation, the laser beam should ideally be perfectly aligned and centered within the Attenuator's input aperture and in the BEAMAGE.



#### Warning

Never touch directly the optics or the absorbing surface of the beam dump/power detector.

In the case of a joint use of a BA16 and a BEAMAGE camera in order to profile a high-power beam, an additional neutral density filter to the camera may be necessary. **If an additional ND filter is necessary, make sure to not exceed the maximum average power density of the power meter.** Refer to the section 3.3 or the *UP User Manual* (available at [gentec-eo.com/resources/download-center](http://gentec-eo.com/resources/download-center)) for additional information and specifications about the power meter.

#### Calibration procedure to use the optional power detector

In order to use the optional power detector for live input beam power monitoring, you need to determine the **attenuation factor** by using the following steps:

1. Measure the power of your laser beam before the optical aperture of the Optical Attenuator.
2. Measure the power of your laser beam with the optional power detector (Residual Beam 2).
3. Divide the power obtained in 1 by the power obtained in 2 to calculate the attenuation factor "A".
4. Enter the calculated factor "A" in the PC-Gentec-EO software or in your Maestro display as a *Multiplier* to get a live measurement of the *input beam* power.

**Important**

The laser beam alignment and power must be steady for the steps 1 and 2.

Note: The attenuation factor “A” between the *input beam* and the integrated power detector depends on the polarization and the alignment of your laser beam. The attenuation factor “A” should be recalculated (steps 1 to 4) after any alignment modification.

**Compatibility**

The attenuators of the BA series are compatible with many Gentec-EO detectors.

In addition, the BA series attenuators can easily be used with any detector or device threaded according to SM1 standard and specifically with the following Gentec-EO detectors:

- PRONTO-Si with the threaded adaptor accessory
- Photodetectors PH and PE series
- Thermal power detector XLP12 and UP10 series

For more information about compatibility, please contact your local Gentec-EO representative.

**Damage to the optical absorber material**

Damage to the optical absorber material is usually caused by exceeding the manufacturer's specifications, such as:

- Incident Average Power Density
- Incident Pulse Energy Density

Refer to the specification pages for the Optical Attenuator BA Series. Damage may also be caused if the absorber surface and/or optics are contaminated. A slight discoloration of the coating does not affect the absorption.

In any case, the beam's incident area should not be less than 10% of the beam dump's aperture. Please contact Gentec-EO to make measurements with such smaller beams.

In the event of significant damage to the coating, the UP sensors or the beam dump can be recoated. Contact your local Gentec-EO representative for information on repair and recalibration. See p. ii Contacting Gentec Electro-Optics Inc

## 4. BA32 OPTICAL ATTENUATOR SERIES

### 4.1. INCLUDED WITH YOUR BA32

The following items are included with your BA32 optical attenuator:

Description
BA32 optical attenuator
Protective covers for optical apertures
Heavy duty carrying case

The following items can be purchased separately:

Description	Part name	Part number
Stand	See website	See website
Mounting kit for UP55	BA32-UP55	205320
Mounting kit for BEAMAGE FOCUS	BA32-FOCUS	205321
Mounting kit for BEAMAGE 3.0 or 4M	BA32-B3	205322
BEAMAGE-4M Laser Beam Profiler	BEAMAGE-4M	202880
BEAMAGE-4M-FOCUS Laser Beam Profiler	BEAMAGE-4M-FOCUS	203191
UP55N/M Laser Power Detector	Various	Various

### 4.2. POWER DETECTOR

The BA32 series can be used with an optional UP power detector. Call us for more information. For further information about the UP power detector itself, refer to the *UP Manual* (available at [gentec-eo.com/resources/download-center](http://gentec-eo.com/resources/download-center) ).

### 4.3. COOLING WATER

The fluid used to cool the Optical Attenuators of the BA32 series must be clean water.

#### Water fittings and tubing:

- The BA32 are equipped with 10mm (OD) push-to-connect fittings.
- It must be used with plastic pressure tube systems (like PE tubes).

The fittings are not compatible with copper or stainless steel tubes.

#### Water quality:

- The BA32 cooling fluid must be water, do not use glycol or other additive.
- Use filtered (< 50µm) water to avoid any residue.

Gentec-EO can provide an external water filter if water quality is an issue (202290 Metric or 202984 Imperial). If you require an external water filter, please contact your local Gentec-EO representative.

Note: The water filter provided by Gentec-EO is a chemical resistant filter. **However, it is not compatible with mineral acids.**

- The resistivity of the water must be over 100 kOhm-cm.
- Distilled water can be used, but it is not recommended to use highly deionized ultra-pure water because the water cavity is not completely inert.
- If an algacide must be used in the chiller, we recommended Optishield Plus or equivalent.
- If chloride is present in the system, the concentration should not exceed 25 PPM and the PH maintained between 6.0 to 8.0. (Low PH will remove the protective oxide layer)

#### Water temperature:

- The cooling water can be between 15 and 25°C **but must always remains above the dew point.**
- The temperature should be regulated with a chiller or a re-circulator.

**Water flow rate:**

- The water flow rate should be monitored.
- NOTE: the water pressure at the BA32 input must never exceed 60 psi / 413 kPa.

**Note: All these parameters should remain in the range stated in the specifications.**

**4.4. SPECIFICATIONS**

The following specifications are based on an operating temperature of 15 °C to 28 °C (59 to 82 °F) and a relative humidity not exceeding 80 %. Attenuators must be stored in an environment between 10 °C to 65 °C and a relative humidity not exceeding 90 %.

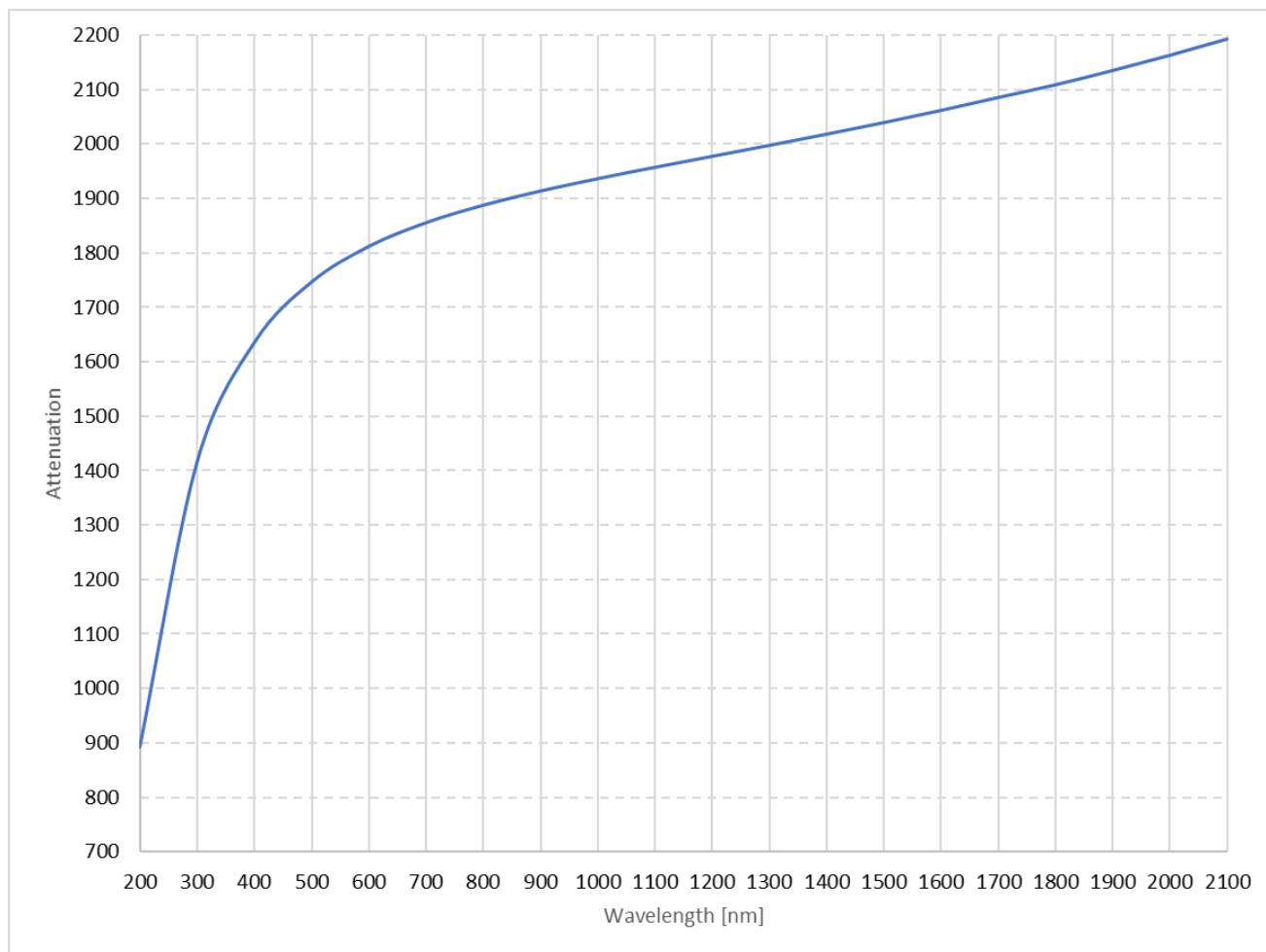
Gentec-EO	BA32-1KW
	<b>Measurement Capability</b>
<b>Spectral Range</b>	200 nm – 2100 nm
<b>Spectral Range with BEAMAGE Camera</b>	350 nm – 1150 nm
<b>Sampled Percentage<sup>3</sup></b>	0.0526% (1/1900) @ 1.064 μm
<b>Integrated Power Meter (Optional)</b>	Compatible with UP55N/M series
<b>Maximum Power</b>	
With coolant	1 kW
Without coolant	100 W
<b>Aperture Diameter</b>	32 mm
<b>Maximum Beam Diameter</b>	32 mm
<b>Optical Wedges Material</b>	UV Fused Silica (uncoated)
<b>Sampled Beam Lateral Shift</b>	4.5 mm
<b>Sampled Beam Deviation</b>	90°
<b>Residual Beam 1 &amp; 2 Deviation</b>	3.6° @ 1.064 μm
<b>CW Laser Damage Thresholds on the Optical Wedge 1.064 μm, CW</b>	<b><u>Average Power Density</u></b>
	10 MW/cm <sup>2</sup>
<b>Pulsed Laser Damage Thresholds on the Optical Wedge 1.064 μm, 7 ns, 10 Hz</b>	<b><u>Max. Energy Density</u></b>
	10 J/cm <sup>2</sup>
	<b>Cooling Requirements</b>
<b>Liquid Coolant</b>	Water
<b>Cooling Flow Rate</b>	1 to 2 L/min
<b>Coolant Pressure Drop</b>	< 5 PSI
<b>Heat Load</b>	< 100 W
<b>Coolant temperature</b>	15 – 25 °C
<b>Coolant Maximum Input Pressure</b>	60 PSI
	<b>Physical Characteristics</b>
<b>Dimensions<sup>4</sup></b>	145(H) x 250(W) x 132(D) mm
<b>Weight</b>	5.5 kg
<b>Mounting</b>	M6 (metric) threaded holes
<b>Optical Apertures Threading</b>	SM2
<b>Product Number</b>	205319

Specifications are subject to change without notice

<sup>3</sup> Considering 0° AOI referred to the input aperture.

<sup>4</sup> Overall dimensions and weight while using BEAMAGE and/or power detector will be different.

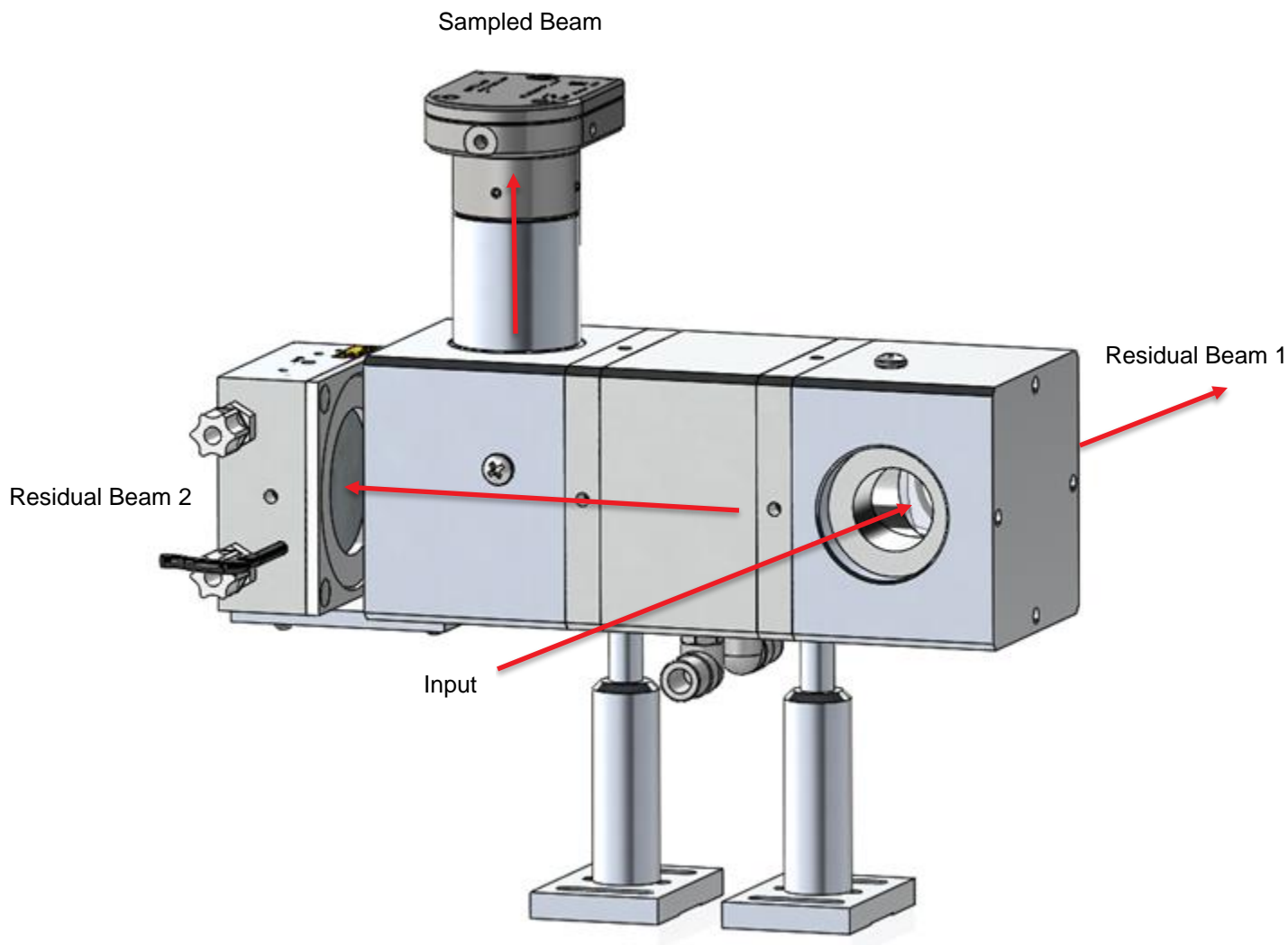
The attenuation factor between the input aperture and the sampled beam is polarization-insensitive, but it varies with the wavelength. The graph below presents the attenuation factor as a function of the wavelength considering an angle of incidence of 0° with the input aperture.



**Figure 2 : Typical Spectral attenuation factor**



**4.5. BEAM PATH DETAILS**



Typical power values @1070nm (% of incident beam)	
Residual Beam 1	92%
Between the 2 wedges	2 x 4% = 8%
Residual Beam 2	2 x 3.7% = 7.4%
Sampled Beam	0.1%

Optical path length	
Input to Sampled Beam (without accessorie)	263 mm
Input to Residual Beam 1	100 mm
Input to Residual Beam 2	257 mm
Sampled Beam to BEAMAGE-4M-FOCUS with BA32-FOCUS mounting kit	123 mm
Sampled Beam to BEAMAGE-4M with BA32-B3 mounting kit	113 mm

## 4.6. OPERATING INSTRUCTIONS

### Storage

In order to ensure a long lifetime of accurate measurements, it is recommended that attenuators be held within the following ambient conditions:

Storage environment temperature: 10 to 60°C, RH < 90%  
Operating environment temperature: 15 to 28°C, RH < 80%.

It is possible to store and operate your Optical Attenuator beyond this range. For any specific requirements, please contact your local Gentec-EO representative.

The protective covers should always remain on your BA32 Optical Attenuator while not using.

### General operation with BEAMAGE beam profiling camera

Once appropriate cooling is achieved, the Attenuator is ready to be aligned in the intended optical set-up.

1. Connect your BA32 Optical Attenuator to the cooling circuit.
2. Ensure your BA32 Optical Attenuator is cooled adequately (following the specifications in the sections 4.3 and 4.3).
3. Remove the protective cover from the *Residual Beam 2* aperture.
4. Install your UP55 power detector with the power detector mounting kit BA32-UP55 (optional).
5. Remove the protective cover from the *Sampled Beam* aperture.
6. Using the mounting kit provided for your BEAMAGE (optional mounting kit BA32-FOCUS / BA32-B3), install the BEAMAGE camera on the attenuator's *Sampled Beam* aperture. Use the locking rings to secure the BEAMAGE on the coupler and the coupler to the Attenuator.
7. Download and install the software *PC-BEAMAGE* (available at [gentec-eo.com](http://gentec-eo.com)).
8. Connect the BEAMAGE to the computer. For further information about *PC-BEAMAGE*, refer to the corresponding manual on [gentec-eo.com/resources/download-center](http://gentec-eo.com/resources/download-center).
9. Remove the protective cover from the *Residual Beam 1* aperture.
10. Align the BA32 Attenuator in the optical set-up using a safe "low-power" laser by centering both: the beam on the target of the input protective cover and in the BEAMAGE. In order to ensure an optimum, polarization-independent attenuation, the laser beam should ideally be perfectly aligned and centered within the Attenuator's input aperture and in the BEAMAGE.
11. Remove all the protective covers prior to use the Optical Attenuator BA32.



**Warning**

Never touch directly the optics or the absorbing surface of the beam dump/power detector.

In the case of a joint use of a BA32 and a BEAMAGE camera in order to profile a high-power beam, an additional neutral density filter to the camera may be necessary. **If an additional ND filter is necessary, make sure to not exceed the maximum average power density of the power meter.** Refer to the section 4.3 or the *UP User Manual* (available at [gentec-eo.com/resources/download-center](http://gentec-eo.com/resources/download-center)) for additional information and specifications about the power meter.

### **Calibration procedure to use the integrated power detector**

In order to use the integrated power detector for input beam power live monitoring, you need to determine the **attenuation factor** by using the following steps:

1. Measure the power of your laser beam before the input of the BA32 Optical Attenuator.
2. Measure the power of your laser beam with the integrated power detector (at the *Residual Beam 2* output).
3. Divide the power obtained in 1 by the power obtained in 2 to calculate the attenuation factor "A".
4. Enter the calculated factor "A" in the PC-Gentec-EO software or in your Maestro display as a *Multiplier* to get a live measurement of the *input beam* power.



### **Important**

The laser beam alignment and power must be steady for the steps 1 and 2.

Note: The attenuation factor "A" between the *input beam* and the integrated power detector depend on the polarization and the alignment of your laser beam. The attenuation factor "A" should be recalculated (steps 1 to 4) after any alignment modification.

### **Compatibility**

The attenuators of the BA32 series are compatible with many Gentec-EO detectors. For more information about compatibility, please contact your local Gentec-EO representative.

### **Damage to the optical absorber material**

Damage to the optical absorber material is usually caused by exceeding the manufacturer's specifications, such as:

- Incident Average Power Density
- Incident Pulse Energy Density

Refer to the specification pages for the Optical Attenuator BA32 Series. Damage may also be caused if the absorber surface and/or optics are contaminated. A slight discoloration of the coating does not affect the absorption of the power detector.

In any case, the beam's incident area should not be less than 10% of the beam dump's aperture. Please contact Gentec-EO to make measurements with such smaller beams.

In the event of significant damage to the coating, the UP sensors or the beam dump can be recoated. Contact your local Gentec-EO representative for information on repair and recalibration. See p. ii Contacting Gentec Electro-Optics Inc

## ANNEXE A: WEEE DIRECTIVE

Refer to the UP User Manual if necessary (available at [www.gentec-eo.com](http://www.gentec-eo.com)) for the power detector declaration of conformity.

### WEEE compliance

These products comply with the European Directive 2012/19/EU – WEEE

### Recycling and separation procedure for WEEE directive 2012/19/EU

This section is used by the recycling center when the detector reaches its end of life. Breaking the calibration seal or opening the monitor will void the detector warranty.

The complete accessory package can contain:

- 1 Accessory
- 1 Detector with DB-15.
- 1 Instruction manual
- 1 Calibration certificate

### Separation

Paper: Certificates (if applicable)

Wires: Detector cable. (if applicable)

Printed circuit board: inside the Detector (for -MT, -MA, -BT and -CP version only) or DB-15, no need to separate (less than 10 cm<sup>2</sup>). (if applicable)

Glass: Optical component. (if applicable)

Aluminum: Accessory housing. (if applicable)

# LEADER IN LASER BEAM MEASUREMENT SINCE 1972



POWER & ENERGY METERS



BEAM PROFILING



THZ MEASUREMENT

## CANADA

445 St-Jean-Baptiste, Suite 160  
Quebec, QC, G2E 5N7  
CANADA

T (418) 651-8003  
F (418) 651-1174

[info@gentec-eo.com](mailto:info@gentec-eo.com)

## UNITED STATES

5825 Jean Road Center  
Lake Oswego, OR, 97035  
USA

T (503) 697-1870  
F (503) 697-0633

[info@gentec-eo.com](mailto:info@gentec-eo.com)

## JAPAN

Office No. 101, EXL111 building,  
Takinogawa, Kita-ku, Tokyo  
114-0023, JAPAN

T +81-3-5972-1290  
F +81-3-5972-1291

[info@gentec-eo.com](mailto:info@gentec-eo.com)

## CALIBRATION CENTERS

- 445 St-Jean-Baptiste, Suite 160  
Quebec, QC, G2E 5N7, CANADA
- Werner von Siemens Str. 15  
82140 Olching, GERMANY
- Office No. 101, EXL111 building,  
Takinogawa, Kita-ku, Tokyo  
114-0023, JAPAN