

LD8001FID



ONLINE TRACE TOTAL HYDROCARBON ANALYZER



The LD8001-FID is an online instrument that offers the ideal solution for the total hydrocarbon measurements. Its compact and robust design perfectly fits on any industrial installation. The LDetek FID and electronic platform bring the performances required by the market.

FEATURES:

- LDetek FID design offering low maintenance
- Bootloader integrated for software update via Ethernet
- Large scale measurement
- 4-20 mA output as standard
- Range Identification Relay
- Touchscreen 7 inches HDMI TFT display
- LAN/Web control
- Micro-valve for very low dead volume and fast purging time
- 3U cabinet

APPLICATIONS:

- Air separation unit
- Cryogenic truck loading station
- Speciality gas laboratories
- Process control
- Steel Industries
- Chemical plants
- Welding gas control
- Gas management system
- Quality control for truck fills and gas cylinders

SPECIFICATIONS:

DETECTOR TYPE	Flame Ionisation Detector	
RANGE	0 – 10 ppm, 0 – 100 ppm, 0 – 1000 ppm, other range possible	
REPEATABILITY	< 1% full scale	
ACCURACY	Better than +/- 1% full scale	
STANDARD FEATURES	<ul style="list-style-type: none"> • Manual or auto-ranging (user selectable) • Microprocessor controlled • Touchscreen 7 inches HDMI TFT display • Self diagnosis system with auto-resolve alarm • 4-20 mA isolated output • Alarm Historic 	<ul style="list-style-type: none"> • Digital outputs for remote monitoring: (all dry relay contacts) <ul style="list-style-type: none"> - System status (1 output) - Range in use (3 output) - Calibration in use (1 output)
OPTIONS	<ul style="list-style-type: none"> • RS-232 / 422 / 485 / Profibus / ProfiNet / Ethernet IP / Modbus / EtherCat • 2 alarm outputs (user programmable set point) 	
GAS CONNECTIONS	Sample: 1/8" compression fittings	Vent: 1/8" compression fitting
CALIBRATION GAS	Zero: LDP1000 purified gas (Getter)	Span: 80%-90% of measuring scale (as CH4 reference)
SAMPLE FLOW REQUIREMENTS	50 to 200 sccm	
AIR FLOW REQUIREMENTS	200 to 600 sccm	
FUEL FLOW REQUIREMENTS	40 to 150 sccm	
SAMPLE GAS OPERATING PRESSURE	10-30 psig	
OPERATING TEMPERATURE	10 °C to 45 °C	
SUPPLY	115 VAC, 50 – 60 Hz or 220 VAC, 50 – 60 Hz	
POWER CONSUMPTION	Maximum 50 watts	
DRIFT	< +/- 1% over 24 hours	
WEIGHT	27 lbs (12 kg)	
ENCLOSURE TYPE	3U rackmount	
INGRESS PROTECTION	IP20 in accordance with IEC 60529	
ENCLOSURE FINISH	RAL7030 powder coat	
CERTIFICATION	In compliance with EMC directives : IEC 61000-4-3: 2020, IEC 61000-4-6: 2013, IEC 61000-4-2: 2008, IEC 61000-4-4: 2012, IEC 61000-4-5: 2014 A1: 2017, IEC 61000-4-8: 2009, IEC 61000-4-11: 2020 for immunity & CISPR 32: 2015 A1: 2019, FCC Part 15, Subpart B: 2021, CISPR 32: 2015 A1: 2019, FCC Part 15, Subpart B: 2021 for emissions.	

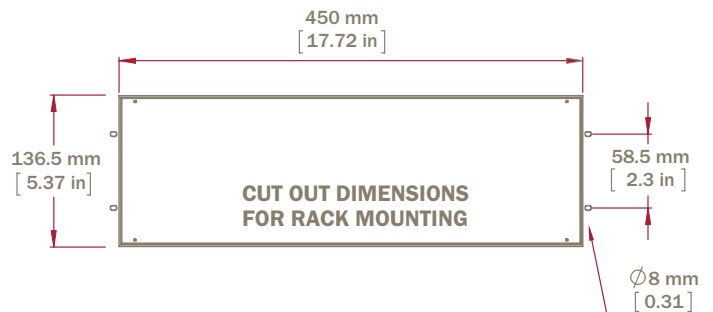
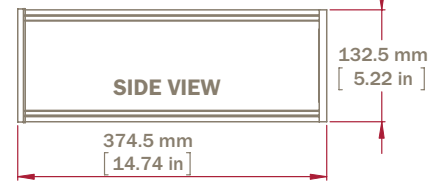
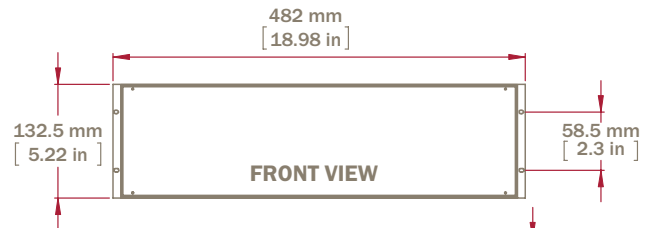
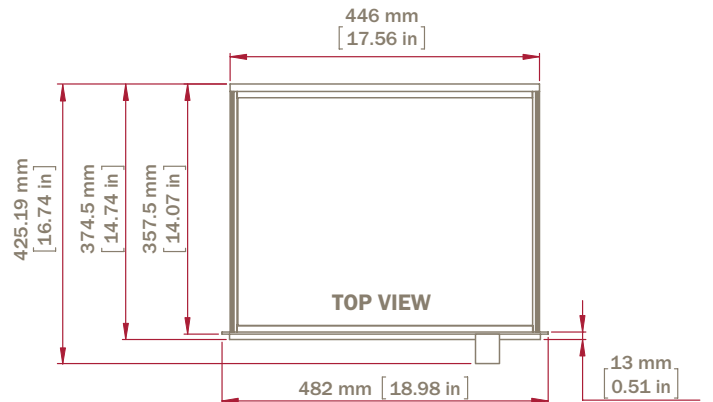
ORDERING INFORMATION:

Product Parent Code : LD8001-FID

LD8001-FID (ppm) Impurity THC, Detector FID

PRODUCT ORDERING CODE		
{Feature A} + {Feature B} + {Feature C} + {Feature D} + {Feature E}		
Feature	Item	Description
FEATURE {A}	BASE MODEL	
	LD8001-FID	Trace THC analyser, 0-10, 0-100, 0-1000 ppm (as default), using FID detector, electronic flow control. Requires H ₂ and Air as fuel, non hazardous.
FEATURE {B}	SAMPLE GAS	
	B1	Argon
	B2	Helium
	B3	Oxygen
	B4	Nitrogen
B5	Air	
FEATURE {C}	OPERATING VOLTAGE	
	C1	120V
C2	220V	
FEATURE {D}	OUTPUT	
	D0	No output
	D1	4-20 mA Outputs (Default qty - 1)
D2	A (Alarm option) (Default qty - 1)	
FEATURE {E}	SERIAL COMMUNICATION	
	E0	No Serial Interface
	E1	Serial Interface - Modbus RS232 (Default qty - 1)
	E2	Serial Interface - Modbus RS-485 (Default qty - 0)
	E3	Serial Interface - Modbus Ethernet (Default qty - 0)
E4	Serial Interface - Profibus (Default qty - 0)	

DIMENSIONS:



990 Monfette Est, Thetford Mines, (Qc), Canada, G6G 7K6
 Phone: 418 755-1319 • Fax: 418 755-1329 • info@ldetek.com

www.ldetek.com