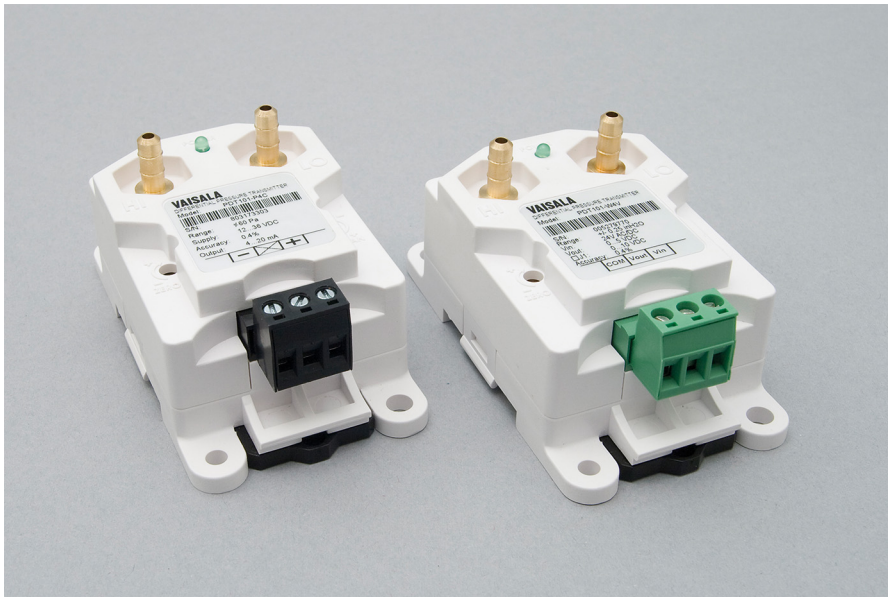




# PDT101 Differential Pressure Transmitter



## Features

- Easy mounting on wall, DIN rail, or panel
- 2 pressure ranges (Pa and inH<sub>2</sub>O)
- Accessible zero and span adjustment potentiometers
- 1/4" brass tubing connections
- LED status indicator
- Specially designed for critical and regulated environments
- Euro style detachable connector
- Calibrations traceable to SI units through national metrology institutes or accredited calibration laboratories

Vaisala Differential Pressure Transmitter PDT101 offers precise measurement and control of very low pressures.

## Operating environment

PDT101 is designed especially for demanding life science and high technology cleanroom applications. The transmitter is ideal for incorporating into the Vaisala viewLinc Continuous Monitoring System to measure and monitor the critical environmental parameters as required in regulated environments.

Zero and span adjustment screws are available on every PDT101 model. Both adjustments are accessible from the front of the unit.

## Performance

PDT101 offers high accuracy, sensitivity, and stability with accuracy 0.40 % of span, providing a highly reliable and repeatable measurement. The sensor uses a micro-machined, ultra-thin silicon diaphragm which provides inherent sensor repeatability and stability. The sensor enables precise measurement and control in high performance cleanrooms. The PDT101 transmitter is available with voltage output (3-wire) or current output (2-wire).

## Applications

PDT101 is suitable for high performance cleanroom environments in the life science, semiconductor, and electronics industries. As part of the viewLinc

system, it is highly suitable for regulated environments where continuous, documented, and redundant data is a requirement to meet FDA regulations. The compact design is well suited for mounting in a cleanroom or in the adjacent corridor with LED indicator lights for quick and easy power status spot check.

# Technical data

## Models

Model	Measurement range	Output
PDT101-P4C	±60 Pa	4 ... 20 mA
PDT101-P4V	±60 Pa	0 ... 5 V
PDT101-P4C2	±125 Pa	4 ... 20 mA
PDT101-P4V2	±125 Pa	0 ... 5 V
PDT101-W4C	±0.25 inH <sub>2</sub> O	4 ... 20 mA
PDT101-W4V	±0.25 inH <sub>2</sub> O	0 ... 5 V
PDT101-W4C2	±0.5 inH <sub>2</sub> O	4 ... 20 mA
PDT101-W4V2	±0.5 inH <sub>2</sub> O	0 ... 5 V

## Measurement performance

Measurement ranges (bidirectional)	±60 Pa, ±125 Pa, ±0.25 inH <sub>2</sub> O, or ±0.5 inH <sub>2</sub> O
Accuracy (incl. non-linearity, hysteresis, repeatability and zero/span calibration settings)	0.4 % span
Long-term stability	≤ 0.5 % span/year
Response time (10 ... 90 %)	250 ms
Warm-up time	15 s
Compensated temperature range	+2 ... +54 °C (+35.6 ... +129.2 °F)
Temperature dependence	±(0.065 Pa + 0.054 % of reading) / °C or ±(0.00015 inH <sub>2</sub> O + 0.03 % of reading) / °F (reference 21 °C or 70 °F)
Pressure type	Differential, gauge, vacuum and compound
<b>Overpressure</b>	
Proof pressure	1.0 bar
Burst pressure	1.7 bar
Static pressure	1.7 bar
<b>Mounting position</b>	
Error (zero adjustable)	≤ 1%/g (calibration in vertical position is standard)
<b>Adjustments (front accessible)</b>	
Zero	±5 % span
Span	±3 % span

## Mechanical specifications

Medium (measured gas)	Clean and dry air, non-conducting and non-corrosive gases
Mounting	Threaded fastener for wall mounting or DIN rail type EN 50022
IP rating	IP40
Weight	0.07 kg
<b>Material</b>	
Process connection	Brass
Sensor element	Silicon, aluminum, glass
Case	NEMA type 1 fire-retardant ABS 1 (meets UL94-5VA)

## Inputs and outputs

Process connection	1/4" barbed fittings
Max. loop resistance for 4 ... 20 mA	≤ (Supply voltage - 12 V)/0.022 A
Supply current	Max. 20 mA for 4 ... 20 mA output signal
Optical process diagnostics	LED visual indicator
Electrical connection	Euro style pluggable terminal block accepts 12 ... 26 AWG wire (0.13 up to 3.31 mm <sup>2</sup> )
<b>Output signal</b>	
2-wire	4 ... 20 mA
3-wire	0 ... 5 V DC (user selectable 0 ... 10 V DC)
<b>Operating voltage</b>	
2-wire output 4 ... 20 mA	12 ... 36 V DC
3-wire output 0 ... 5 V DC	11.5 ... 36 V DC or 24 V AC
3-wire output 0 ... 10 V DC	14 ... 36 V DC or 24 V AC

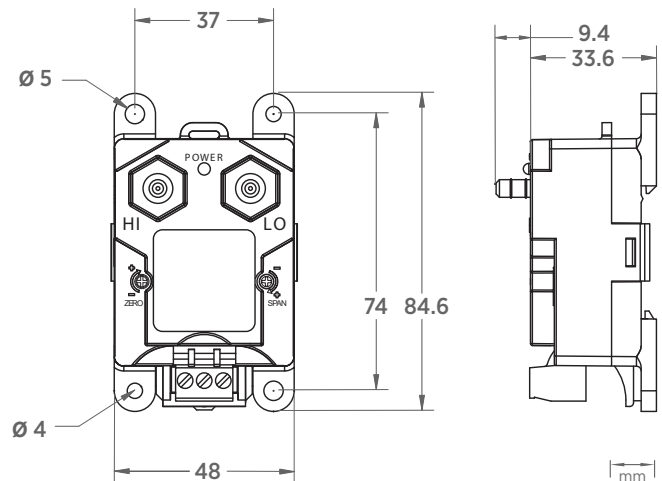
## Operating environment

Operating temperature	-18 ... +70 °C (-0.4 ... +158 °F)
Storage temperature	-40 ... +82 °C (-40 ... +179.6 °F)

Note: If used in an electromagnetic field of 3 V/m, with narrow frequency area of 80 ... 120 MHz, it is possible that the current output of PDT101 can deviate max. 0.8 % (with accuracy specified 0.4 %)

## Compliance

EU directives	EMC
EMC compatibility	EN 61326-1, basic immunity test requirements
Compliance marks	CE, RCM



PDT101 dimensions

**VAISALA**

www.vaisala.com

Published by Vaisala | B211082EN-G © Vaisala 2021

All rights reserved. Any logos and/or product names are trademarks of Vaisala or its individual partners. Any reproduction, transfer, distribution or storage of information contained in this document is strictly prohibited. All specifications — technical included — are subject to change without notice.