

**GARMIN**<sup>®</sup>  
**PRO Control**<sup>®</sup> 2



Owner's Manual

All rights reserved. Under the copyright laws, this manual may not be copied, in whole or in part, without the written consent of Garmin. Garmin reserves the right to change or improve its products and to make changes in the content of this manual without obligation to notify any person or organization of such changes or improvements. Go to [www.garmin.com](http://www.garmin.com) for current updates and supplemental information concerning the use of this product.

Garmin®, the Garmin logo, and PRO Control® are trademarks of Garmin Ltd. or its subsidiaries, registered in the USA and other countries. These trademarks may not be used without the express permission of Garmin.

IC: 1792A-A2125

M/N: O2ADNH02

# Table of Contents

<b>Introduction</b> .....	<b>1</b>
Charging the Handheld Device.....	1
Charging the Receiver.....	1
Turning the Handheld Device On or Off.....	1
Turning the Receiver On and Off.....	1
Selecting an Operating Mode.....	1
<b>Remote Training Devices</b> .....	<b>1</b>
PRO Control 2 Receiver Overview.....	2
Remote Control Keys.....	2
Remote Control Display.....	2
Receiver Pairing.....	2
Attaching the Receiver.....	3
Connecting a Receiver to a Training Device.....	3
Activating a Remote Device.....	3
Activating Multiple Devices Simultaneously.....	3
Rapid Launch.....	3
Receiver Sound.....	3
<b>Dog Training</b> .....	<b>4</b>
Dog Training Keys.....	4
Dog Training Display.....	4
Dog Collar Device.....	4
Training Intensities and Methods.....	5
Training Modes.....	5
Choosing the Correct Intensity Level.....	5
<b>Device Information</b> .....	<b>6</b>
PRO Control 2 Handheld Device Specifications.....	6
PRO Control 2 Remote Receiver Device Specifications.....	6
Getting More Information.....	6
Registering Your Device.....	6
<b>Device Maintenance</b> .....	<b>6</b>
PRO Control 2 Battery Replacement Instructions.....	6
Updating the Receiver Software.....	7
Downloading a Custom Sound.....	7
Resetting the Receiver to Factory Defaults.....	7
<b>Index</b> .....	<b>8</b>



## Introduction

### ⚠ WARNING

See the *Important Safety and Product Information* guide in the product box for product warnings and other important information.

## Charging the Handheld Device

### NOTICE

To prevent corrosion, thoroughly dry the USB port, the weather cap, and the surrounding area before charging or connecting to a computer.

**NOTE:** The device does not charge when it is outside the approved temperature range (*PRO Control 2 Handheld Device Specifications, page 6*).

You should fully charge the battery before you use the device for the first time. Charging a fully depleted battery takes about 2 hours.

- 1 Lift the weather cap ①.



- 2 Plug the small end of the power cable into the USB port ② on the device.
- 3 Plug the other end of the power cable into an appropriate power source.

The LCD display on the handheld device shows the current battery charge level. Charging is complete when the battery charge level icon stops flashing.

## Charging the Receiver

### NOTICE

To prevent corrosion, thoroughly dry the USB port, the weather cap, and the surrounding area before charging or connecting to a computer.

**NOTE:** The device does not charge when it is outside the approved temperature range (*PRO Control 2 Remote Receiver Device Specifications, page 6*).

- 1 Lift the weather cap from the USB port.
- 2 Plug the small end of the power cable into the USB port.



- 3 Plug the large end of the USB cable into an AC adapter or a computer USB port.
- 4 Plug the AC adapter into a standard wall outlet.
- 5 Charge the device completely.

The LED is solid red while charging. The LED is solid green when the device is fully charged.

**NOTE:** The battery takes four hours to fully charge.

## Battery Status

When the device is on, the status LED flashes every few seconds. The color of the status LED indicates the battery power level.

Green	Good battery power.
Yellow	Low battery power. Charge the battery soon.
Red	Critically low battery power or missing battery. Charge the battery immediately. Launching is disabled.

## Turning the Handheld Device On or Off

The handheld device turns off automatically after you have not used it for one hour. You cannot turn off the device manually.

**NOTE:** The device and LCD display use very little power while the device is not transmitting, and the one-hour delay does not significantly impact battery life.

Select any key to turn on the device.

The LCD display turns on, and the device keys can be used immediately.

## Turning the Receiver On and Off

- 1 Hold the power key until the LED is solid green to turn on the receiver.

After you release the power key, the LED flashes to indicate the battery level (*Battery Status, page 1*).

- 2 Hold the power key until the LED is solid red to turn off the receiver.

## Selecting an Operating Mode

The PRO Control 2 handheld device operates in either remote launcher mode or dog training mode. The features, display, and key functions change based on the mode.

Select **MODE** to switch the operating mode.

A training mode indicator appears at the bottom of the LCD display (*Dog Training Display, page 4*) when the device is in dog training mode.

## Remote Training Devices

The PRO Control 2 handheld device can control up to 18 compatible PRO Control series receivers. A PRO Control series receiver can activate several brands of third-party devices, including remote launchers, remote releasers, and other remote accessories. Each receiver includes a speaker to play a sound and two ports to connect remote devices.

Your PRO Control 2 handheld device can remotely activate the sound and two remote devices on each receiver. You can also use the rapid launch feature to activate multiple devices in rapid succession.

## PRO Control 2 Receiver Overview



①	3.5 mm line-out audio jack (under weather cap)
②	USB port (under weather cap)
③	LED
④	Power key
⑤	3.5 mm output jacks (under weather cap)

## Remote Control Keys



①	Select to use rapid launch.
②	Select to switch between remote launcher mode and dog training mode.
③	Select to play the receiver sound.
④	Select to activate the left port of the receiver.
⑤	Select to activate the right port of the receiver.
⑥	Select to change the active receiver or to select the order of rapid launch activation.
⑦	Select to change the receiver sound.

## Remote Control Display



①	Selected receiver number <b>NOTE:</b> A letter indicating the order of rapid launch activation may also appear. L indicates left ports activate first, and r indicates right ports activate first.
②	Battery charge level
③	Selected sound

## Receiver Pairing

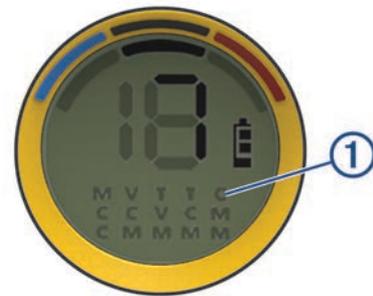
You can pair the PRO Control 2 handheld device with a PRO Control 2 receiver ([Pairing a PRO Control 2 Receiver, page 2](#)) or a PRO Control G Series receiver ([Pairing with a PRO Control G Series Receiver, page 2](#)).

### Pairing a PRO Control 2 Receiver

Before you can control a PRO Control 2 receiver with the handheld device, you must pair them.

- 1 On the handheld device, select **MODE**, and select the remote launcher mode ([Selecting an Operating Mode, page 1](#)).

When you are in remote launcher mode, training mode indicators ① do not appear on the LCD display of the handheld device.



- 2 On the handheld device, select ▲ or ▼ to select the number of the receiver to pair.

The number of the receiver appears on the LCD display of the handheld device.

- 3 Hold the power key from 3 to 5 seconds until the LED on the receiver is solid green and changes to solid blue.

You can perform this step even if the receiver is turned off initially. You must continue to hold the power key while pairing.

- 4 While the LED on the receiver is blue, select L, R, or (left arrow) on the handheld device.

The handheld device beeps when the devices are paired.

- 5 Select (right arrow) to verify that the receiver paired.

### ⚠ CAUTION

The speaker is very loud. You should avoid activating the speaker near a person. If you must use the speaker near a person, muffle the speaker before activating it to decrease the volume.

The speaker plays the current sound.

### Pairing with a PRO Control G Series Receiver

Before you can control your receiver with your PRO Control 2 handheld device, you must pair the receiver with the handheld device.

- 1 On the handheld device, select ▲ or ▼ to choose the number with which to pair the receiver.

**TIP:** The selected number determines the sound played by receiver when you select (right arrow) ([PRO Control G Series Receiver Sounds, page 4](#)).

- 2 If necessary, turn on the receiver.
- 3 On the receiver, select **SET**.

The red LED is solid when the receiver is in pairing mode.

- 4 Within five seconds, select **▶** on the handheld device.

The red LED on the receiver flashes and turns off.

The receiver is paired with the selected number on the handheld device.

## Attaching the Receiver

### NOTICE

Do not attach the receiver in the path of the launch. Verify that the receiver does not interfere with the releasing mechanism of the launch device.

- 1 Attach the receiver to the mounting plate.



- 2 Attach the mounting plate to the third-party launch device according to the manufacturer's instructions.

## Connecting a Receiver to a Training Device

You can connect two third-party launch devices using the left and right output jacks of the receiver.

- 1 Pull back the weather cap ① from the left or right output jack of the receiver.



- 2 Connect one end of the 3.5 mm cable to the output jack ② of the receiver.
- 3 Connect the other end of the 3.5 mm cable to the input jack of the training device.
- 4 Repeat steps 1 through 3 to attach a second training device to the unused output jack.

## Activating a Remote Device

Before you can activate a receiver, you must pair it with the handheld device.

- 1 Select **▼** or **▲** to select a receiver.
- 2 Select **▶** to play the receiver sound (optional).
- 3 Select an option:
  - Select **L** to activate the device plugged into the left receiver port.
  - Select **R** to activate the device plugged into the right receiver port.

## Activating Multiple Devices Simultaneously

You can pair multiple receivers with the same number on the handheld device to activate multiple devices at the same time. For example, you can activate multiple remote releasers simultaneously to simulate a flushed flock of birds.

- 1 While pairing your receivers, select the same number on the handheld device for each of the receivers that you intend to activate simultaneously (*Pairing a PRO Control 2 Receiver, page 2*).
- 2 Select **▼** or **▲** to select the number paired with the receivers.
- 3 Select an option:
  - Select **L** to activate the left port of all receivers paired with the selected number.
  - Select **R** to activate the right port of all receivers paired with the selected number.

## Rapid Launch

The rapid launch feature allows you to activate multiple remote devices in sequence. You can activate all left ports on receivers 1 through 18 in sequence, all right ports on receivers 1 through 18 in sequence, or all ports on one side followed by all ports on the other side.

To use the rapid launch feature most effectively, you should pair your receivers numerically in the order you want to activate them. You can pair your receivers to new numbers on the handheld device at any time (*Receiver Pairing, page 2*).

## Activating Multiple Devices Sequentially

- 1 On the handheld, select **▼** to select receiver 1.
- 2 Select an option:
  - Select **▼** to select **L** for rapid launch of all left ports in sequence, followed by all right ports in sequence.
  - Select **▼** to select **r** for rapid launch of all right ports in sequence, followed by all left ports in sequence.
- 3 Select **▼** to switch between rapid launch of all left and all right ports, if necessary.
- 4 Select an option:
  - Select **RAPID LAUNCH**.  
The device activates the selected port of the next remote device in order each time you select the key.
  - Hold **RAPID LAUNCH**.  
The device rapidly activates the selected ports in order for as long as you hold the key. After the device activates receiver 18, activation restarts on receivers 1 through 18 for ports on the other side.
- 5 Release **RAPID LAUNCH** to stop rapid launch.
- 6 Repeat step 4 to resume rapid launch.  
Rapid launch resumes with the next receiver number.

## Receiver Sound

### ⚠ CAUTION

The speaker is very loud. You should avoid activating the speaker near a person. If you must use the speaker near a person, muffle the speaker before activating it to decrease the volume.

The receiver includes a speaker that can play multiple sounds. The sounds can be used as a training tool in coordination with remote device launches. You can also use the sound to help locate a lost or hidden receiver.

## Selecting the PRO Control 2 Receiver Sound

Before you can select the receiver sound, you must be in remote launcher mode (*Selecting an Operating Mode, page 1*).

On the handheld device, select to select a color.

On the LCD display, moves to a new color each time you select . Each color indicates a different sound.

Blue (left)	Duck call
Black (middle)	"Hey, hey, hey"
Red (right)	Beep/tone

### PRO Control G Series Receiver Sounds

The receiver can play several different sounds. You can choose the sound that plays when you select . The sound associated with each PRO Control G Series receiver is determined by the number you use to pair the receiver to the handheld device ([Pairing with a PRO Control G Series Receiver, page 2](#)).

Sound	Paired Receiver Number
Duck	1, 2, 3, 4, 12, 13, 14, 15
Tone	5, 8, 16
2 tone	6, 9, 17
3 tone	7, 10, 18
No sound	11

### Activating the Receiver Sound

- 1 Select or to select a receiver.
- 2 Select .

### Using an External Speaker with the PRO Control 2 Receiver

When training dogs at field trial distances of more than 400 yards, you can connect a powered, external speaker for additional sound performance.

**NOTE:** Your external speaker must be a powered speaker with a built-in amplifier.

- 1 Lift the weather plug from the audio jack on the receiver.
- 2 Connect the cable from your external speaker to the audio jack.

## Dog Training

You should research and investigate the training methods best suited for you, your dog, and your needs.

When used properly, the PRO Control training system is an effective training tool to aid your dog in reaching its full potential. The use of the training system should be part of an overall training program.

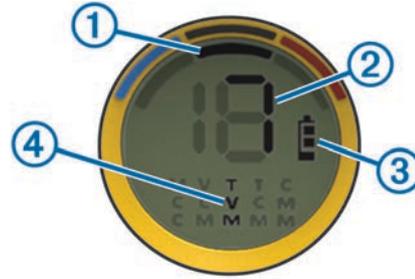
### Dog Training Keys



①	Select to change the functions of the training keys ③.
②	Select to choose an intensity level.

③	Select to activate a stimulation on the dog collar device.
④	Select to choose the active dog collar device.
⑤	Select to switch to remote launcher mode.

### Dog Training Display



①	Selected dog collar device
②	Stimulation intensity level
③	Battery charge level
④	Selected training mode

### Dog Collar Device

You can use up to 3 dog collar devices with a single handheld device.

Each dog collar device must be paired with the handheld device before it can be used. During the pairing process, each dog collar device is associated with a different color on the handheld device. indicates the selected color.

### Fitting the Collar on Your Dog

#### CAUTION

To prevent irritation from the contact points, remove the collar for at least eight hours out of every 24-hour period.

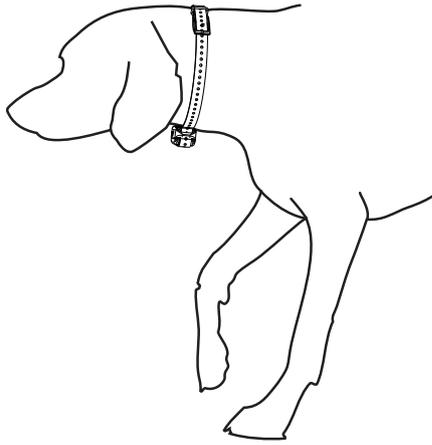
This device is not intended for human use. Do not attempt to use on any person.

Do not spray the device or collar with harsh chemicals including but not limited to flea or tick spray. Always ensure that any flea or tick spray that is applied to the dog is completely dry before placing the collar on the dog. Small amounts of harsh chemicals can damage the plastic components and collar laminate.

In order to effectively train the dog, the collar and device must fit the dog properly. If the collar is too loose or positioned incorrectly, stimulation may be inconsistent. This can delay or prevent successful training.

- 1 Position the device at the front of the dog's neck, with the status LED facing toward the dog's chin and the contact points against the throat.
- 2 Tighten the strap so that it is very snug around the dog's neck, and fasten the buckle.

**NOTE:** The collar should fit tightly and should not be able to rotate or slide on the dog's neck. The dog must be able to swallow food and water normally. You should observe your dog's behavior to verify that the collar is not too tight.



- 3 Wiggle the device to work the contact points through the dog's coat.  
**NOTE:** The contact points must have contact with the dog's skin to be effective.
- 4 If the strap is too long, cut off the excess, leaving at least 8 cm (3 in.) to spare.  
**TIP:** You can mark the hole used to fasten the buckle for future reference.

### Pairing a Dog Collar Device with the Handheld Device

- 1 Turn on the dog collar device and the handheld device.
- 2 On the handheld device, select  to select a color.  
 indicates the selected color.
- 3 On the handheld device, select an intensity level greater than 0 ([Changing the Intensity Level, page 6](#)).
- 4 On the dog collar device, hold the power key.  
You must continue to hold the power key during the pairing process.  
The device beeps once when you select the power key and again after five seconds.
- 5 After the second beep, select a training key on the handheld device.

The dog collar device turns off and beeps to indicate that the devices paired successfully.

Short beep	Devices paired successfully
Long beep	Devices did not pair

**TIP:** If the devices did not pair successfully, you should verify the batteries in both devices are fully charged and the intensity level is greater than 0.

### Selecting a Dog Collar Device

Before you can select and control a dog collar device, you must pair the dog collar device with the handheld device ([Pairing a Dog Collar Device with the Handheld Device, page 5](#)).

Select  to choose the color.  
 indicates the selected color.

The training keys control the dog collar device associated with the selected color.

## Training Intensities and Methods

You can use several methods to train your dog. The PRO Control system provides 18 stimulation intensity levels, which increase sequentially from 1 to 18.

**Momentary stimulation:** Applies a brief stimulation when you press the training key, regardless of how long the key is depressed.

**Continuous stimulation:** Applies stimulation to the dog the entire time you press the training key, for a maximum of 8 seconds. Your stimulations should typically be much shorter than 8 seconds.

**Tone:** Activates an audible tone the entire time you press the training key, for a maximum of 8 seconds. A tone can be used as either a positive or negative training cue, depending on your training program.

**Vibration:** Applies vibration instead of stimulation to the dog the entire time you press the training key, for a maximum of 8 seconds. The effectiveness of vibration may vary based on the dog's temperament and experience.

## Training Modes

The PRO Control system provides several training modes, which assign different combinations of momentary stimulation, continuous stimulation, tone, and vibration to the training keys ([Training Intensities and Methods, page 5](#)). The three vertical letters on the LCD display correspond to the training key functions, from top to bottom. Some modes provide keys designated for high or low stimulations for different training purposes. A low stimulation is perceived by the dog to be less intense than a high stimulation.

Mode	Top Key	Middle Key	Bottom Key	Description
TVM	Tone	Vibration	Momentary (low)	Beginning trainer, sensitive dog, or minor corrections
VCM	Vibration	Continuous (high)	Momentary (high)	All-around training
TCM	Tone	Continuous (high)	Momentary (high)	All-around training
CMM	Continuous (high)	Momentary (high)	Momentary (low)	Advanced training, popular for bird-dog training
MCC	Momentary (high)	Continuous (high)	Continuous (low)	Advanced training, popular for obedience training

### Selecting a Training Mode

You can select a training mode that applies to all three dog collar devices.

- 1 Select a dog collar device ([Selecting a Dog Collar Device, page 5](#)).
- 2 Select **RAPID LAUNCH** to move through the available training modes.

### Choosing the Correct Intensity Level

- 1 Set the intensity to the lowest level ([Changing the Intensity Level, page 6](#)).
- 2 Press a training key.
- 3 Observe the dog for a reaction, such as a head shake, neck movement, or just a change in expression.  
Sometimes dogs will vocalize due to the surprise of the electrical stimulation. If the dog vocalizes more than once, the intensity level is too high for beginning training.
- 4 If there is no reaction, increase the intensity level by one level until the dog has a slight but recognizable reaction to the stimulation.

The intensity level that causes a slight but recognizable reaction is your dog's baseline level for beginning collar training. You do not need to, and should not, apply this intensity selection test again.

After you begin training, the dog's performance guides your intensity selection. As the dog advances in training, you may need to change the level depending upon the training situation.

## Changing the Intensity Level

You can select a different intensity level for each dog collar device.

- 1 Select a dog collar device ([Selecting a Dog Collar Device, page 5](#)).
- 2 Select ▲ or ▼ to increase or decrease the intensity level. The numerical intensity level appears on the LCD display.  
**TIP:** You can hold ▲ or ▼ to cycle through intensity levels quickly.

## Device Information

### PRO Control 2 Handheld Device Specifications

Battery type	Rechargeable, replaceable lithium-ion
Operating temperature range	From -4° to 158°F (from -20° to 70°C)
Charging temperature range	From 32° to 104°F (from 0° to 40°C)
Storage temperature range	From -4° to 122°F (from -20° to 50°C)
Water rating	IEC 60529 IPX7*

\*The device withstands incidental exposure to water of up to 1 m for up to 30 min. For more information, go to [www.garmin.com/waterrating](http://www.garmin.com/waterrating).

### PRO Control 2 Remote Receiver Device Specifications

Battery type	Rechargeable, replaceable lithium-ion
Operating temperature range	From -20° to 60°C (from -4° to 140°F)
Charging temperature range	From 0° to 45°C (from 32° to 113°F)
Storage temperature range	From -20° to 70°C (from -4° to 158°F)
Water rating	IEC 60529 IPX7*

\*The device withstands incidental exposure to water of up to 1 m for up to 30 min. For more information, go to [www.garmin.com/waterrating](http://www.garmin.com/waterrating).

## Getting More Information

You can find more information about this product on the Garmin® website.

- Go to [www.garmin.com/outdoor](http://www.garmin.com/outdoor).
- Go to <http://buy.garmin.com>, or contact your Garmin dealer for information about optional accessories and replacement parts.

## Registering Your Device

Help us better support you by completing our online registration today.

- Go to [www.garmin.com/express](http://www.garmin.com/express).
- Keep the original sales receipt, or a photocopy, in a safe place.

## Device Maintenance

### PRO Control 2 Battery Replacement Instructions

#### ⚠ WARNING

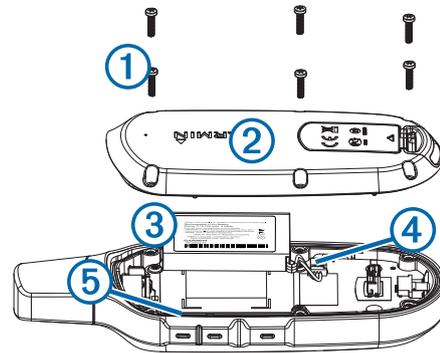
This product contains a lithium-ion battery. To prevent the possibility of personal injury or product damage caused by battery exposure to extreme heat, store the device out of direct sunlight.

Do not use a sharp object to remove batteries.

#### ⚠ CAUTION

Contact your local waste disposal department to properly recycle the batteries.

### PRO Control 2 Handheld Device Components



①	Security screws
②	Back plate
③	Battery
④	Battery connector
⑤	Gasket

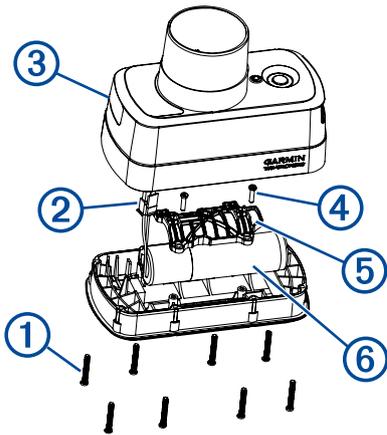
### Replacing the PRO Control 2 Handheld Device Battery

Before you replace the battery, you must remove all dirt, water, and debris from the device. You also need the security screwdriver included with the new battery.

You can purchase a replacement battery at <http://buy.garmin.com>. You should use only an official Garmin replacement part.

- 1 Remove the six security screws from the back of the device.
- 2 Lift up the back plate.
- 3 Grip the battery connector wires close to the connector, and pull the connector parallel to the circuit board to disconnect the battery connector from the device.
- 4 Remove the old battery from the back plate, noting the orientation of the battery.  
The battery fits tightly. It may be necessary to pry the battery out of the back plate using a non-sharp, non-metal object.
- 5 Install the new battery into the back plate with the label side up, using the same orientation as the old battery.
- 6 With the new battery, connect the battery connector to the device.  
When properly installed, the connector plug snaps into the port.
- 7 Verify the gasket is not damaged and is completely seated in the groove.
- 8 Hold the back plate and the device firmly together, and replace all six security screws without tightening.
- 9 Verify the back plate and the device are aligned with no gaps.
- 10 Tighten the screws evenly.

## PRO Control 2 Receiver Components



①	Security screws
②	Battery connector
③	Receiver housing
④	Screws for battery plate
⑤	Battery plate
⑥	Battery

### Replacing the PRO Control 2 Receiver Battery

Before you replace the battery, you must remove all dirt, water, and debris from the device.

You can purchase a replacement battery at (<http://buy.garmin.com>). You should use only an official Garmin replacement part.

- 1 Remove the eight security screws from the back of the device.
- 2 Lift up the receiver housing.
- 3 Press down firmly on the release tab for the battery connector, and disconnect the battery connector from the device.
- 4 Remove the screws from the battery plate, and remove the plate.
- 5 Remove the old battery, noting the orientation of the battery. The battery fits tightly. You may pry the battery out of the back plate using a non-sharp, non-metal object.
- 6 Install the new battery with the label side up, using the same orientation as the old battery.
- 7 Replace the battery plate, and replace its screws.
- 8 Verify that the gasket is not damaged and is completely seated in the groove in the receiver housing.
- 9 Connect the battery connector to the device.
- 10 Hold the bottom plate and the device firmly together, and replace all eight security screws without tightening.
- 11 Verify the bottom plate and the device are aligned with no gaps.
- 12 Tighten the screws evenly.

### Updating the Receiver Software

- 1 Connect your device to a computer using the USB cable ([Connecting the Device to Your Computer, page 7](#)).
- 2 Go to [garmin.com/express](http://garmin.com/express).
- 3 Follow the on-screen instructions.

## Connecting the Device to Your Computer

### NOTICE

To prevent corrosion, thoroughly dry the USB port, the weather cap, and the surrounding area before charging or connecting to a computer.

- 1 Pull up the weather cap from the USB port on the device.
- 2 Plug the small end of the USB cable into the USB port on the device.
- 3 Plug the large end of the USB cable into a computer USB port.

Your device appears as a removable drive in My Computer on Windows® computers and as a mounted volume on Mac® computers.

### Downloading a Custom Sound

Before you can download a custom sound from your computer to your receiver, your sound file must be in the proper audio format ([Custom Sound File Requirements, page 7](#)).

- 1 Name the custom sound file to associate it with a color.

Color	Filename
Blue (left)	1.wav
Black (middle)	2.wav
Red (right)	3.wav

- 2 Connect the receiver to your computer ([Connecting the Device to Your Computer, page 7](#)).

Depending on your computer operating system, the device appears as either a portable device, a removable drive, or a removable volume.

- 3 On your computer, browse to the custom sound file location.
- 4 Copy the custom sound file to the GARMIN/WAV folder on your receiver.

When you select the receiver sound ([Selecting the PRO Control 2 Receiver Sound, page 3](#)), the custom sound plays.

### Custom Sound File Requirements

Audio file format	Waveform (.wav)
Channels	Mono or stereo
Resolution	16-bit
Sample rate	32 kHz
Maximum duration	50 sec. for mono for all three sounds 25 sec. for stereo for all three sounds

### Resetting the Receiver to Factory Defaults

A factory reset unpairs the receiver, erases sounds stored on the receiver, and restores the original factory sounds.

- 1 Connect the receiver to the computer or charger ([Connecting the Device to Your Computer, page 7](#)).
- 2 Hold the power key for 15 seconds until the LED is solid yellow.  
Factory reset is complete when the LED turns off.

# Index

## A

accessories [6](#)

## B

battery [1](#)  
  charging [1](#)  
  level [2, 4](#)  
  life [1](#)  
  replacing [6, 7](#)

## C

charging  
  handheld [1](#)  
  receiver [1](#)  
collar  
  fitting [4](#)  
  pairing [4, 5](#)  
computer, connecting [7](#)  
contact points [4](#)

## D

data, transferring [7](#)  
device, registration [6](#)  
dog  
  training [1](#)  
  training basics [4](#)  
  training intensity levels [5](#)  
dog collar device [4, 5](#)

## F

files, supported types [7](#)

## I

intensity level [4](#)  
  changing [6](#)  
  choosing [5](#)

## K

keys [2, 4](#)

## P

pairing, collar [4, 5](#)  
power key [1, 2, 4](#)  
product registration [6](#)

## R

rapid launch [3](#)  
receiver  
  attaching [3](#)  
  connecting [3](#)  
  mounting plate [3](#)  
  pairing [2](#)  
  sound [3, 4, 7](#)  
registering the device [6](#)  
remote control [1–3](#)  
  rapid launch [3](#)  
resetting the device [7](#)

## S

software, updating [7](#)  
speaker, connecting [4](#)  
specifications [6](#)  
storing data [7](#)

## T

training, modes [4, 5](#)  
troubleshooting [6, 7](#)

## U

updates, software [7](#)  
USB, connector [2](#)



# [www.garmin.com/support](http://www.garmin.com/support)



1800 235 822



+43 (0) 820 220230



+ 32 2 672 52 54



0800 770 4960



1-866-429-9296



+385 1 5508 272  
+385 1 5508 271



+420 221 985466  
+420 221 985465



+ 45 4810 5050



+ 358 9 6937 9758



+ 331 55 69 33 99



+ 39 02 36 699699



(+52) 001-855-792-7671



0800 427 652



0800 0233937



+47 815 69 555



00800 4412 454  
+44 2380 662 915



+35 1214 447 460



+386 4 27 92 500



0861 GARMIN (427 646)  
+27 (0)11 251 9800



+34 93 275 44 97



+ 46 7744 52020



+886 2 2642-9199 ext 2



0808 238 0000  
+44 870 850 1242



+49 (0) 89 858364880  
zum Ortstarif - Mobilfunk  
kann abweichen



913-397-8200  
1-800-800-1020

